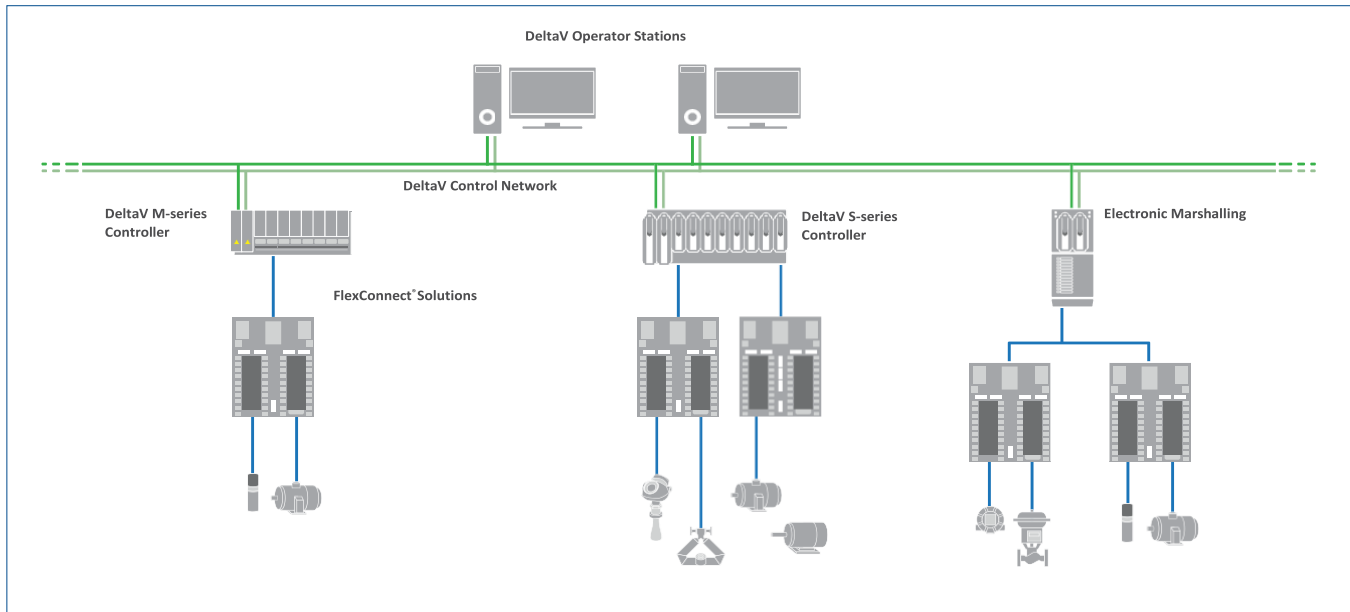


FlexConnect™ Solutions for Bailey® INFI 90® Systems



FlexConnect™ Solutions protect your wiring investment as you convert from Bailey® INFI 90® to the DeltaV™ system.

- Reduce business risks by minimizing process downtime
- Save on installation costs
- Preserve HART® signals

Introduction

If concerns about downtime and wiring costs are preventing you from migrating your Bailey® INFI 90® system to a new DeltaV™ system, consider FlexConnect™ Solutions for Bailey Systems.

Benefits

Reduce business risks by minimizing process downtime. This solution brings device signals to DeltaV I/O from existing Bailey I/O terminations. Keeping device wires intact accelerates new system startup, enabling you to rapidly resume production.

Save installation costs. Eliminating new device wiring saves money and reduces risk of errors. Time and materials savings are significant.

Preserve HART signals. Use HART® Pass-through for complete diagnostics at the DeltaV workstations.

Product Description and Specification

FlexConnect Connect Solutions provide direct connection from Bailey INFI 90 I/O to DeltaV Electronic Marshalling (CHARMs) via flying-lead cables. Optionally, M and S-series traditional I/O can be utilized in these solutions.

The following Bailey INFI 90 field wiring types have FlexConnect Solutions as described here:

Analog Inputs

Up to 16 Bailey two-wire 4-20 mA Analog Inputs (AI) connect to single-channel 4-20 mA HART DeltaV AI CHARMs.

Analog Outputs

Up to 16 Bailey 4-20 mA Analog Outputs (AO) connect to single-channel 4-20 mA HART DeltaV AO CHARMs.

Discrete Inputs

Up to 16 Bailey 24 VDC Dry Contact Discrete Inputs (DI) connect to single-channel 24 VDC DeltaV DI Dry Contact CHARMs.

Discrete Outputs

Up to 16 Bailey 24 VDC Discrete Outputs (DO) connect to single-channel 24 VDC HSS DeltaV DO CHARMs.

Discrete Outputs - Relay

Up to 16 Bailey Discrete Outputs-Relay (DO-R) connect to single-channel 24 VDC HSS DeltaV DO CHARMs.

Ordering Information

For inquiries and ordering information, please contact your local Emerson sales office. Please specify required cable lengths on your request. Maximum cable length is 30 meters. (Note: FlexConnect Solution drawings are available upon request.)

FlexConnect™ Solutions organized by Bailey® Termination

| FlexConnect Solution # | Bailey Termination Panel Models | Bailey INFI 90 Series Signals | DeltaV I/O Types | FlexConnect Solutions Drawing Numbers |
|------------------------|---------------------------------|-------------------------------------|------------------|---------------------------------------|
| FC-B1-CBL-3-10 | NTAI01, NTAI05 | 15-Channel, 4-20 mA, AI, 2-wire | AI, 4-20 mA HART | FC-B1-AI15-1 |
| FC-B1-CBL-4-11 | NTAI06 | 16-Channel, 4-20 mA, AI, 2-wire | AI, 4-20 mA HART | FC-B1-AI16-2 |
| FC-B1-CBL-4-40 | NTAI06 | 16-Channel, RTD, AI | AI, RTD | FC-B1-RTD |
| FC-B1-CBL-4-41 | NTAI03, NTAI04 | 16-Channel, RTD, AI | AI, RTD | FC-B1-RTD1 |
| FC-B1-CBL-1-20 | NTAO01 | 8-Channel, 4-20 mA, AO | AO, 4-20mA HART | FC-B1-AO8 |
| FC-B1-CBL-2-21 | NTDI01 | 14-Channel, 4-20 mA, AO | AO, 4-20mA HART | FC-B1-AO14 |
| FC-B1-CBL-4-22 | NTDI01 | 16-Channel, 4-20 mA, AO | AO, 4-20mA HART | FC-B1-AO16 |
| FC-B1-CBL-4-50 | NTDI01 | 16-Channel, 24 VDC, DI, Dry contact | DI, 24 VDC Dry | FC-B1-DI16 |
| FC-B1-CBL-4-60 | NTDI01 | 16-Channel, 24 VDC, DO | DO, 24 VDC HSS | FC-B1-DO16 |
| FC-B1-CBL-4-61 | 6642016D2 | 16-Channel, DO-Relay | DO, 24 VDC HSS | FC-B1-DOR |

Ordering Information (Cont'd)

Manufactured cables are available in the following lengths; 1, 3, 5, 10, 15, and 30 meters. For analog I/O we recommend the twisted-pair versions. For discrete I/O we recommend non-twisted pair. These cables are 24 and 36-Pin pluggable on one end, straight through, open-end / flying lead on the other end, all open wires marked with the corresponding pin number and have ferrules on each wire, 24 AWG, shielded, and 16 inches of flying-lead to connect to the DeltaV I/O terminal blocks. Contact your local Emerson representative for pricing and availability.

Prerequisites

A preliminary site visit is required in order to survey installed control system architecture and electrical grounding practices, to document I/O models and numbers of each, and to review schedule constraints and turnaround objectives. Qualified Emerson engineers or technicians perform site reviews.

Services

For help in planning, justifying or implementing your system migration, contact your local Emerson representative. Expert consultants are available to advise you on a variety of concerns including safety system design, implementation and standards compliance; digital buses, wireless applications, control performance and process optimization.

Emerson

North America, Latin America:

☎ +1 800 833 8314 or
☎ +1 512 832 3774

Asia Pacific:

☎ +65 6777 8211

Europe, Middle East:

☎ +41 41 768 6111

🌐 www.emerson.com/deltav

©2019, Emerson. All rights reserved.

The Emerson logo is a trademark and service mark of Emerson Electric Co. The DeltaV logo is a mark of one of the Emerson family of companies. All other marks are the property of their respective owners.

The contents of this publication are presented for informational purposes only, and while diligent efforts were made to ensure their accuracy, they are not to be construed as warranties or guarantees, express or implied, regarding the products or services described herein or their use or applicability. All sales are governed by our terms and conditions, which are available on request. We reserve the right to modify or improve the designs or specifications of our products at any time without notice.